

'PSV's PROTECTING LIFE AND PROPERTY'

Pressure safety valves are installed on process equipment to release excess pressure due to faulty process operations, external fires and other hazards. Or simply said; the safety valve serves to protect life and property. Failure of pressure safety valves to function properly when needed could result in the over pressure of vessels, exchangers, boilers, or other equipment they where installed to protect. It is essential to maintain your pressure safety valves and relief valves in good condition.

Periodically repair and testing is one of the most important elements to proof that your safety valves will provide the so important protection.

Course Objectives

The Ventil/Kontrol Indo Raya 2 day training course "PSV's protecting life and property" is a comprehensive guide to 'understanding' safety and safety relief valves.

This course explains how safety and relief valves function and what is needed to maintain and ensure a long and reliable working effect. It covers all aspects of Safety valve operation, repair and reconditioning. The strength of this training course is its great practical character and independent perspective to any PSV manufacturer / brand.



Who Should Attend

This training course is designed for engineers who use/select and for Technicians who install/service these safety devices. Managers with responsibility for plant and equipment would find an appreciation of the subject and the issues involved useful. If needed the training course is blended to meet your specific level and application.

Coverage

Safety Repair courses contains;

- √ PSV Types and applications.
- √ Recognizing manufacturers, types and sizes.
- √ Operation, performance and opening characteristics.
- √ Recognizing parts, components and materials.
- √ Documenting the reconditioning process.
- √ Disassembly and storage.
- √ Inspection and reconditioning/machining limits.
- √ Reconditioning.
- √ Assembly.
- √ Painting and conservation.
- √ Readjusting, testing and tagging.
- √ Periodical checking, re-testing and diagnostics.

Course Details

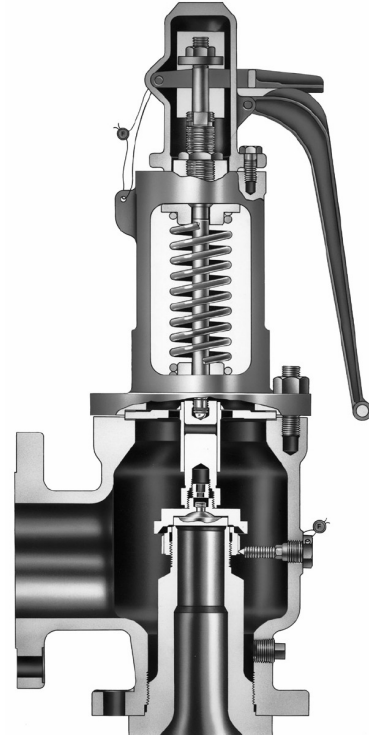
2 days, complete course

Complete course covering 50% theory on technology, types and size and 50% practical training in Safety valve repair and testing (lunches included). Certification is given up completion of the course.

Organisation

The Training takes place on-site or at the Kontrol Indo Raya's training facility in Jakarta.

The amount of trainee's or attendee's is limited to 20 persons. If needed the training course is blended to meet your specific level and applications. The training is presented in English or Indonesian language by a senior valve specialist with many years of experience in Safety Valve repair and testing.



For more information, please contact



PT Kontrol Indo Raya
World Class Valve Products, Services and Process Solutions

E.: consultant@kontrolindoraya.co.id

T.: + 62 21 25558939

F.: + 62 21 25558938

W.: [www@kontrolindoraya.co.id](http://www.kontrolindoraya.co.id)